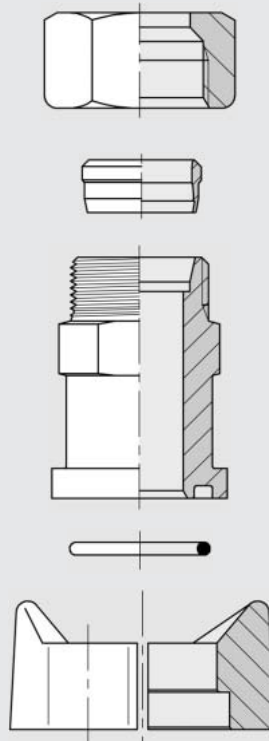




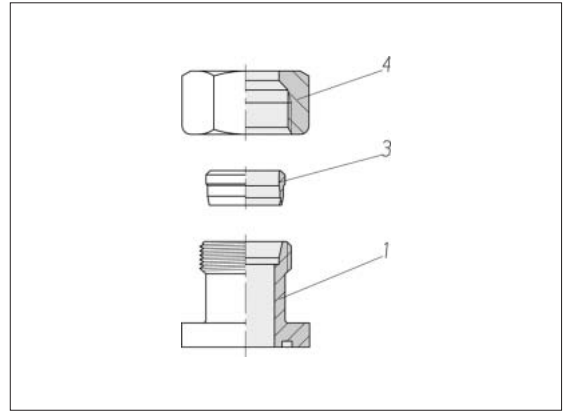
Flange couplings
with cutting-ring connection
Component parts





Straight flange couplings
Component parts

With cutting-ring and square flange connection

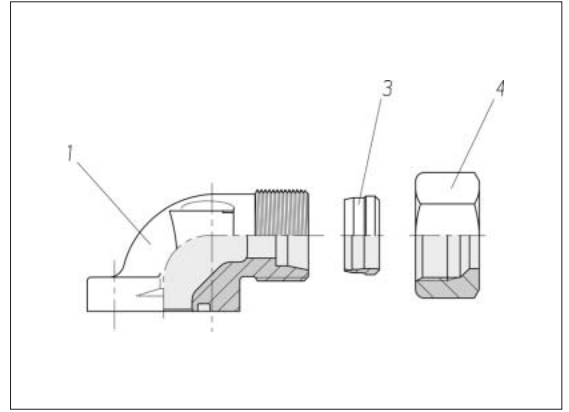


Series	PB	Hole circle dia.	kg/100 approx.	Order No. Part 1	Order No. Part 3	Order No. Part 4
L 10	315	35	9.5	0 7 95 36 20 00*	0 0 10 10 20 00	0 0 04 10 21 00
L 12	315	35	9.7	0 7 95 37 20 00	0 0 10 15 20 00	0 0 04 15 21 00
L 15	250	35	10.2	0 7 95 38 20 00	0 0 10 20 20 00	0 0 04 20 21 00
L 15	100	40	12.4	0 7 95 39 20 00	0 0 10 20 20 00	0 0 04 20 21 00
L 18	100	40	12.2	0 7 95 40 20 00	0 0 10 25 20 00	0 0 04 25 21 00
L 22	100	40	12.3	0 7 95 41 20 00	0 0 10 30 20 00	0 0 04 30 21 00
L 28	100	40	15.9	0 7 95 14 20 00	0 0 10 35 20 00	0 0 04 35 21 00
L 28	100	55	30.4	0 7 95 90 20 00	0 0 10 35 20 00	0 0 04 35 21 00
S 16	315	35	16.4	0 7 95 10 20 00	0 0 10 75 20 00	0 0 04 75 21 00

* Sample product code, see: BFG10L/LK35OMD

Elbow flange couplings Component parts

With cutting-ring and square flange connection



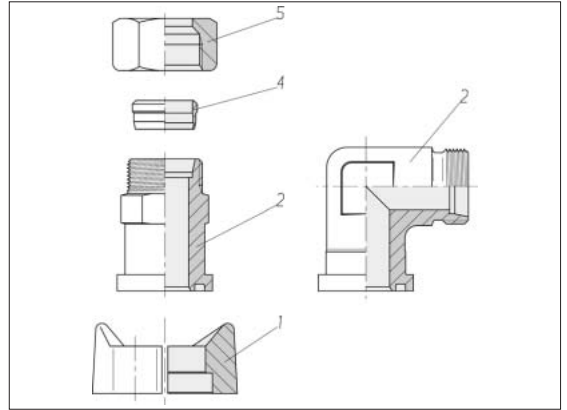
Series	PB	Hole circle dia.	kg/100 approx.	Order No. Part 1	Order No. Part 3	Order No. Part 4
L 10	315	35	14.2	0 7 95 42 20 00*	0 0 10 10 20 00	0 0 04 10 21 00
L 12	315	35	15.7	0 7 95 62 20 00	0 0 10 15 20 00	0 0 04 15 21 00
L 15	250	35	15.0	0 7 95 63 20 00	0 0 10 20 20 00	0 0 04 20 21 00
L 15	100	40	20.1	0 7 95 64 20 00	0 0 10 20 20 00	0 0 04 20 21 00
L 18	100	35	17.9	0 7 95 45 20 00	0 0 10 25 20 00	0 0 04 25 21 00
L 18	100	40	16.9	0 7 95 43 20 00	0 0 10 25 20 00	0 0 04 25 21 00
L 22	100	40	17.7	0 7 95 44 20 00	0 0 10 30 20 00	0 0 04 30 21 00
L 28	100	40	26.0	0 7 95 15 20 00	0 0 10 35 20 00	0 0 04 35 21 00
L 35	100	40	32.2	0 7 95 27 20 00	0 0 10 40 20 00	0 0 04 40 21 00
L 35	100	55	46.6	0 7 95 17 20 00	0 0 10 40 20 00	0 0 04 40 21 00
S 12	315	35	27.1	0 7 95 88 20 00	0 0 10 15 20 00	0 0 04 65 21 00
S 16	315	35	17.3	0 7 95 25 20 00	0 0 10 75 20 00	0 0 04 75 21 00
S 20	315	35	22.3	0 7 95 11 20 00	0 0 10 80 20 00	0 0 04 80 21 00
S 20	250	55	44.9	0 7 95 18 20 00	0 0 10 80 20 00	0 0 04 80 21 00
S 20	250	40	20.2	0 7 95 13 20 00	0 0 10 80 20 00	0 0 04 80 21 00
S 25	250	55	49.1	0 7 95 89 20 00	0 0 10 85 20 00	0 0 04 85 21 00
S 30	250	55	49.8	0 7 95 24 20 00	0 0 10 90 20 00	0 0 04 90 21 00

* Sample product code, see:
BFW10L/LK35OMD



Straight/elbow flange couplings Component parts

With cutting-ring connection
and divided SAE flange
Hole pattern according to
SAE J 518 C / ISO 6162
Standard series
(3000 psi)



Flange size	Series	kg/100 approx.	Order No. Part 1*	kg/100 approx.	Order No. Part 2**	kg/100 approx.	Order No. Part 2***	Order No. Part 4	Order No. Part 5
3/4"	L 18	8.6	0 3 97 79 20 50	21.3	0 3 96 00 20 00	31.4	0 3 96 12 20 00	0 0 10 25 20 00	0 0 04 25 21 00
3/4"	L 22	8.6	0 3 97 79 20 50	20.2	0 3 96 01 20 00	29.6	0 3 96 13 20 00	0 0 10 30 20 00	0 0 04 30 21 00
1"	L 28	11.6	0 3 97 80 20 50	28.2	0 3 96 02 20 00	40.4	0 3 96 14 20 00	0 0 10 35 20 00	0 0 04 35 21 00
1 1/4"	L 35	15.7	0 3 97 81 20 50	36.3	0 3 96 03 20 00	67.0	0 3 96 15 20 00	0 0 10 40 20 00	0 0 04 40 21 00
1 1/4"	L 35	32.0	0 3 96 97 20 50	36.3	0 3 96 03 20 00	67.0	0 3 96 15 20 00	0 0 10 40 20 00	0 0 04 40 21 00
1 1/2"	L 42	45.5	0 3 97 82 20 50	48.2	0 3 96 04 20 00	110.9	0 3 96 16 20 00	0 0 10 45 20 00	0 0 04 45 21 00
3/4"	S 20	8.6	0 3 97 79 20 50	23.8	0 3 96 05 20 00	31.9	0 3 96 17 20 00	0 0 10 80 20 00	0 0 04 80 21 00
3/4"	S 25	8.6	0 3 97 79 20 50	24.1	0 3 96 06 20 00	33.3	0 3 96 18 20 00	0 0 10 85 20 00	0 0 04 85 21 00
1"	S 30	11.6	0 3 97 80 20 50	36.4	0 3 96 08 20 00	45.2	0 3 96 20 20 00	0 0 10 90 20 00	0 0 04 90 21 00
1 1/4"	S 25	15.7	0 3 97 81 20 50	43.3	0 3 96 07 20 00	62.2	0 3 96 19 20 00	0 0 10 85 20 00	0 0 04 85 21 00
1 1/4"	S 25	32.0	0 3 96 97 20 50	43.3	0 3 96 07 20 00	62.2	0 3 96 19 20 00	0 0 10 85 20 00	0 0 04 85 21 00
1 1/4"	S 30	15.7	0 3 97 81 20 50	43.8	0 3 96 09 20 00	69.4	0 3 96 21 20 00	0 0 10 90 20 00	0 0 04 90 21 00
1 1/4"	S 30	32.0	0 3 96 97 20 50	43.8	0 3 96 09 20 00	69.4	0 3 96 21 20 00	0 0 10 90 20 00	0 0 04 90 21 00
1 1/4"	S 38	15.7	0 3 97 81 20 50	53.2	0 3 96 10 20 00	76.5	0 3 96 22 20 00	0 0 10 95 20 00	0 0 04 95 21 00
1 1/4"	S 38	32.0	0 3 96 97 20 50	53.2	0 3 96 10 20 00	76.5	0 3 96 22 20 00	0 0 10 95 20 00	0 0 04 95 21 00
1 1/2"	S 38	45.5	0 3 97 82 20 50	63.2	0 3 96 11 20 00	98.3	0 3 96 23 20 00	0 0 10 95 20 00	0 0 04 95 21 00

Order No. Part 1: in dependence on
screw size, see Pg. 223/224

* = 2 flange halves

** = Straight flange connecting piece

*** = Elbow flange connecting piece

Sample product code, see:

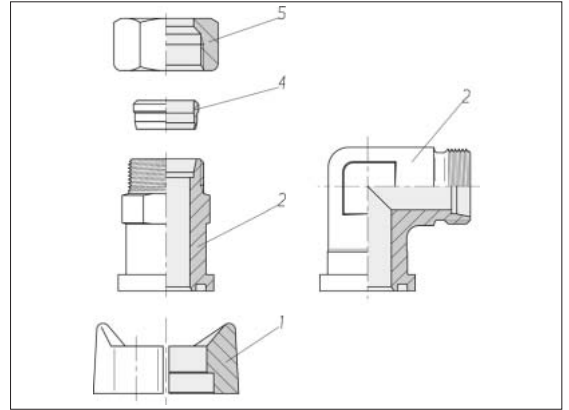
FHS33X

GFS33/18LX

WFS33/18LX

Straight/elbow flange couplings Component parts

With cutting-ring connection
and divided SAE flange
Hole pattern according to
SAE J 518 C / ISO 6162
High-pressure series
(6000 psi)



Flange size	Series	kg/100 approx.	Order No. Part 1*	kg/100 approx.	Order No. Part 2**	kg/100 approx.	Order No. Part 2***	Order No. Part 4	Order No. Part 5
1/2"	S 16	25.0	0 3 97 86 20 50	-	-	15.7	0 3 96 60 20 00	0 0 10 75 20 00	0 0 04 75 21 00
3/4"	S 16	33.2	0 3 97 87 20 50	27.2	0 3 96 24 20 00	43.0	0 3 96 36 20 00	0 0 10 75 20 00	0 0 04 75 21 00
3/4"	S 20	33.2	0 3 97 87 20 50	27.9	0 3 96 25 20 00	42.5	0 3 96 37 20 00	0 0 10 80 20 00	0 0 04 80 21 00
3/4"	S 25	33.2	0 3 97 87 20 50	30.0	0 3 96 26 20 00	45.8	0 3 96 38 20 00	0 0 10 85 20 00	0 0 04 85 21 00
1"	S 25	25.0	0 3 97 88 20 50	46.1	0 3 96 27 20 00	59.3	0 3 96 39 20 00	0 0 10 85 20 00	0 0 04 85 21 00
1"	S 30	25.0	0 3 97 88 20 50	43.4	0 3 96 28 20 00	61.2	0 3 96 40 20 00	0 0 10 90 20 00	0 0 04 90 21 00
1 1/4"	S 30	39.0	0 3 97 89 20 50	57.4	0 3 96 30 20 00	82.9	0 3 96 42 20 00	0 0 10 90 20 00	0 0 04 90 21 00
1 1/4"	S 38	39.0	0 3 97 89 20 50	64.8	0 3 96 32 20 00	96.5	0 3 96 44 20 00	0 0 10 95 20 00	0 0 04 95 21 00
1 1/2"	S 38	68.3	0 3 97 90 20 50	82.0	0 3 96 34 20 00	131.7	0 3 96 46 20 00	0 0 10 95 20 00	0 0 04 95 21 00

* = 2 flange halves
** = Straight flange connecting piece
*** = Elbow flange connecting piece

Sample product code, see:
FHS63X
GFS63/16SX
WFS63/16SX